



# Technical Specification



## Medium Open Reel

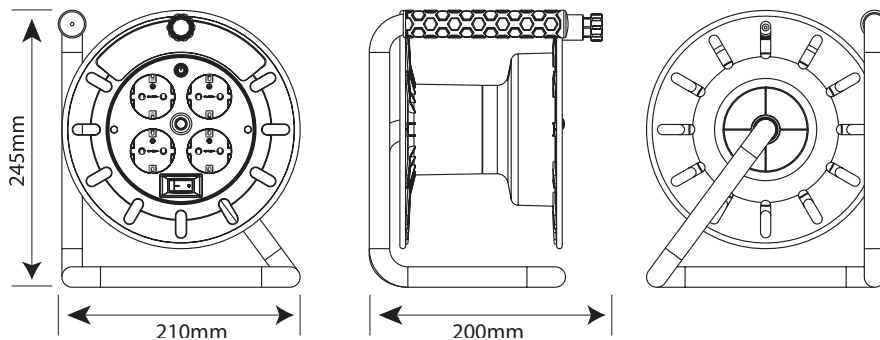


### Features

- Robust open reel, with four Schuko type sockets
- Space saving style
- Thermal cut-out protection
- Power on/off switch
- Power LED indicator
- Manufactured to EN 61242
- 5 year guarantee



### Lines Diagrams



### Technical Specifications

Standard(s)	EN 61242	
Maximum Load	10A: Wound Wattage = 900W/230V, Unwound Wattage = 2,300W/230V 16A: Wound Wattage = 1,000W/230V, Unwound Wattage = 3,000W/230V	
Switch specification	16A 125V/250V~	
Thermal cut-out	56 ± 5 °C	
Max cable length	H05VV-F 10A(1.0mm <sup>2</sup> ) = 40m, H05VV-F 16A(1.5mm <sup>2</sup> ) = 30m	

Product Information			
Part No.	OMG25164SL-PX	Qty	2
Type	Medium Open Reel	Shipping Carton Info (cm)	H:280 x W:240 x D:450
Cable Type	H05VV-F	CBM	0.03024
Cable Length (m)	25	G.W (kg)	6.5
Amp	16	EAN Barcode	5015056523408
Product Dimensions(cm)	H:24.5 x W:21 x D20	ITF Barcode	5015056523446